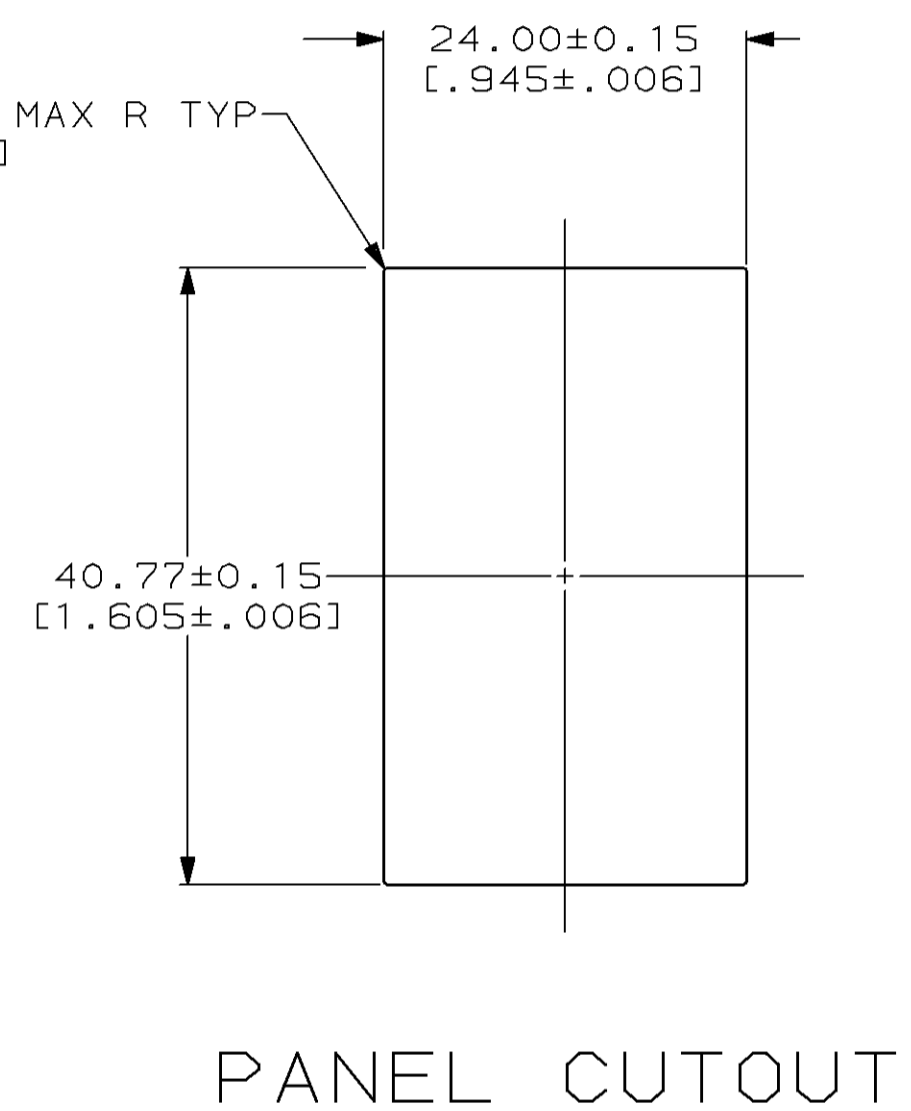
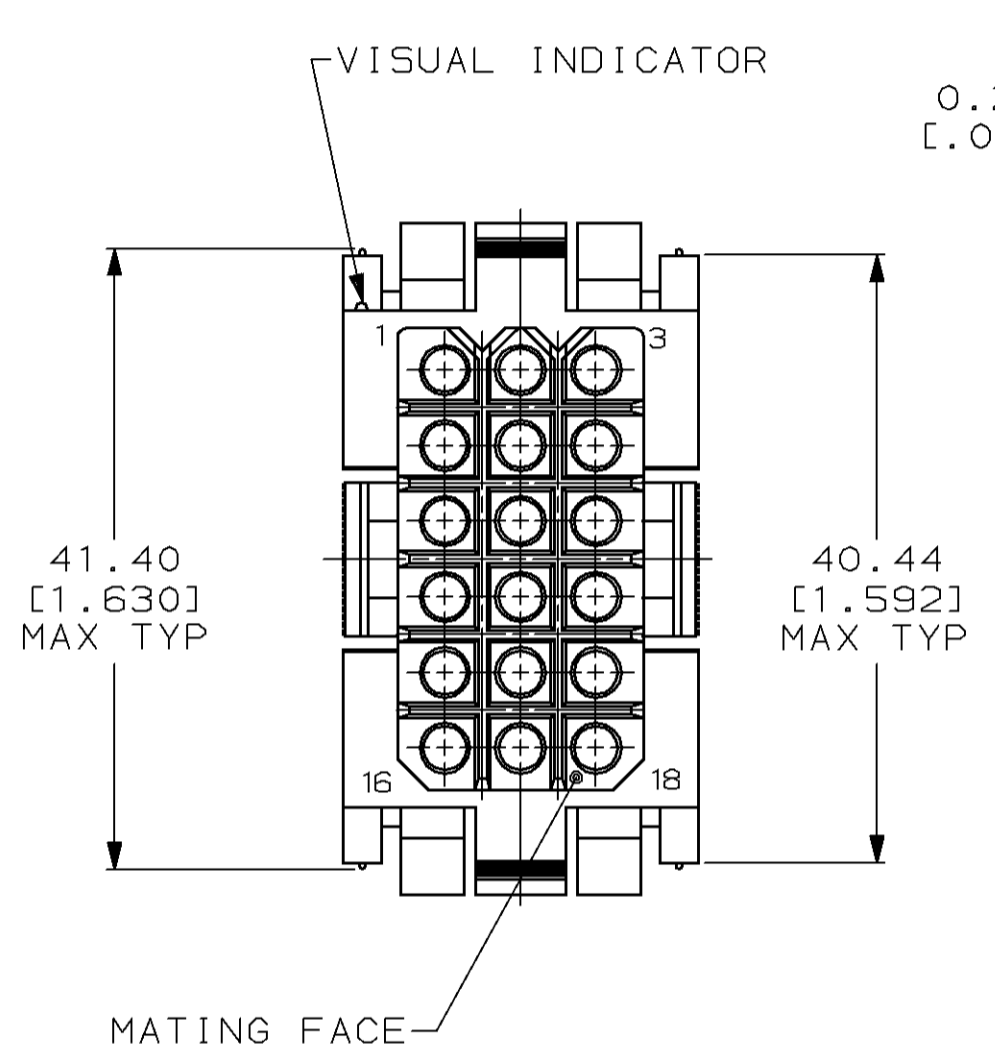
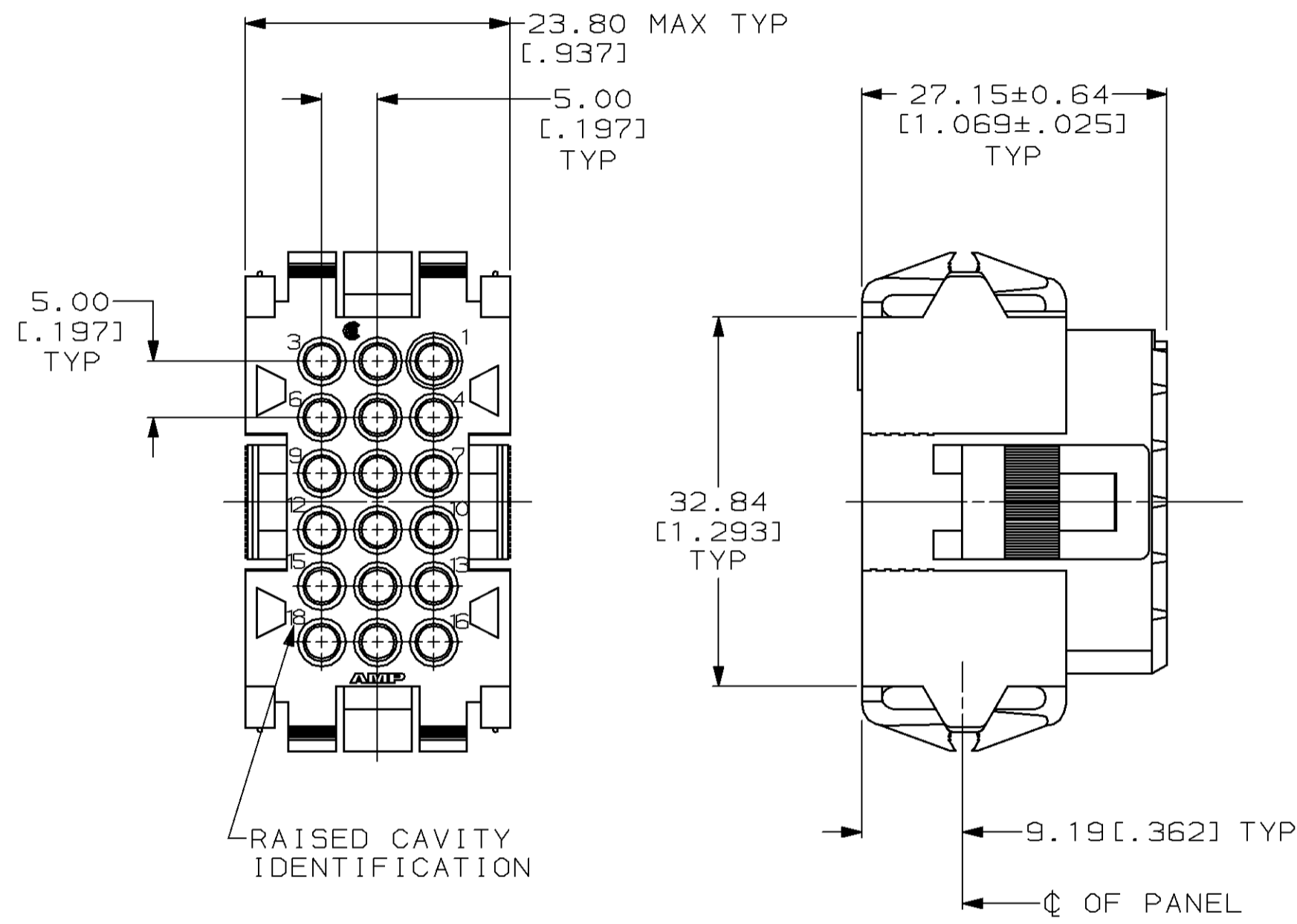


MOD		LOC		DIST		REVISIONS				
P	F	ZONE	LTR	DESCRIPTION	DATE	APPD				
1		BD		37						
			E	REDRAWN & REVISED PER ECN BD6668	08/26/92	-				
			F	REV PER EC 0020-250-94	03/24/94	AT				



1. PANEL RETENTION MECHANISM ACCOMMODATES PANEL THICKNESSES FROM 0.76 [.030] TO 2.29 [.090].

DO NOT SCALE PRINT. UNLESS SPECIFIED DIMENSIONS IN mm [INCHES] TOLERANCES ON:		DR 08/26/92 W.LENKER		AMP Incorporated Harrisburg, PA 17105-3608	
2 PLC DEC ± 0.25 [.010]		CHK 8-31-92 R.STONE			
3 PLC DEC ± -		APPD 9-2-92 A.TRAVIS		NAME HOUSING, PLUG, 18 POSITION, METRIMATE	
ANGLES ± -		APPD 9-3-92 C.ROHDE			
MATERIAL NYLON, COLOR: RED		PRODUCT SPEC 108-10033		SIZE C 00779	
FINISH -		APPLICATION SPEC -		DRAWING NO G=207442	
THIS DRAWING IS A CONTROLLED DOCUMENT FOR AMP INCORPORATED. IT IS SUBJECT TO CHANGE AND THE CONTROLLING ENGINEERING ORGANIZATION SHOULD BE CONTACTED FOR THE LATEST REVISION.		WEIGHT -		SCALE 2:1	
				SHEET 1 OF 1	